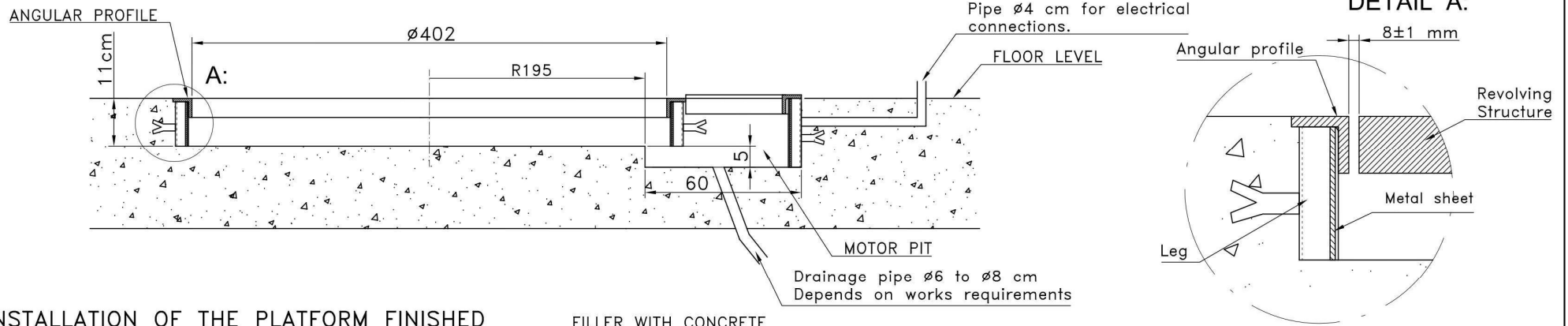
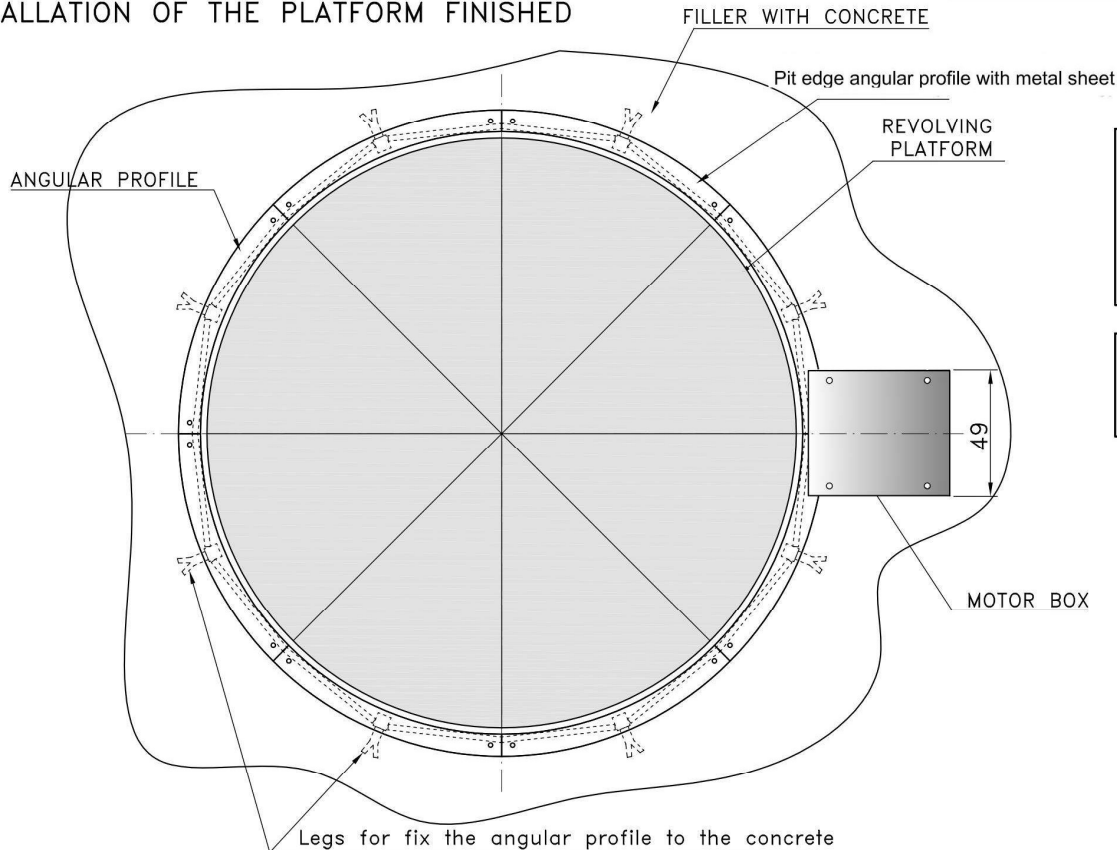


SECTION: PIT EDGE WITH ANGULAR PROFILE

AT FLOOR LEVEL INSTALLATION



INSTALLATION OF THE PLATFORM FINISHED



COMPLETION OF THE PIT

IMPORTANT: The pit edge angular profile will be installed during the assembly of the platform. The angular profile is used like a formwork to fill the external pit with concrete

NOTE: In special conditions, the angular profile can be installed before the platform assembly if the works require it.

measurements are in centimeters

PROJECT
CIVIL WORKS FOR INSTALLATION THE REVOLVING
PLATFORM, MOD. PG40

CUSTOMER

PLAN
COMPLETION OF THE PIT, AFTER THE
PLATFORM ASSEMBLY
at floor level installation

DATE
2011
MODIFIED

LOCATION

LIFT SYSTEME

TECHNIC. J.M.V.

SCALE SIZE
... A4

... A3

REF. PROJECT REF. MOD. PLAN NUM.
... PG40 OC-03

C Project
P Work
A Finished